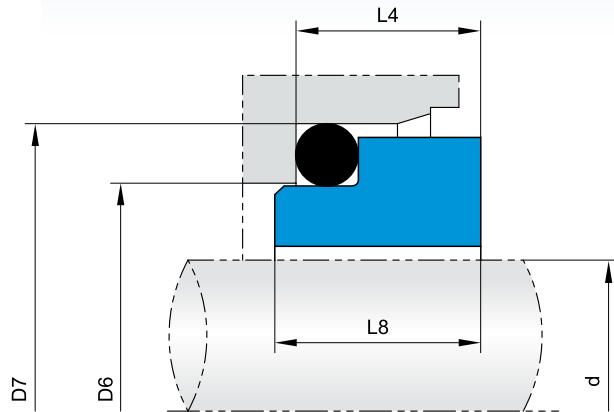


Stationary seat

TS SEALS C09



- ⊙ O-Ring Stationary seat σύμφωνα με EN12756
- ⊙ Υλικά κατασκευής V1,Q1,Q2,U1,U2



Size Metric	d	D6	D7	L4	L8
14	14	21	25	12.0	12.8
16	16	23	27	12.0	12.8
18	18	27	33	13.5	14.5
20	20	29	35	13.5	14.5
22	22	31	37	13.5	14.5
24	24	33	39	13.3	14.3
25	25	34	40	13.0	14.0
28	28	37	43	12.5	13.5
30	30	39	45	12.0	13.0
32	32	42	48	12.0	13.0
33	33	42	48	12.0	13.0
35	35	44	50	12.0	13.0
38	38	49	56	13.0	14.0
40	40	51	58	13.0	14.0
43	43	54	61	13.0	14.0
45	45	56	63	13.0	14.0
48	48	59	66	13.0	14.0
50	50	62	70	13.5	14.5
53	53	65	73	13.5	14.5
55	55	67	75	13.5	14.5
58	58	70	78	13.5	14.2
60	60	72	80	13.5	14.2
63	63	75	83	13.5	14.2
65	65	77	85	13.5	14.2
68	68	81	90	13.5	14.2
70	70	83	92	14.5	15.2
75	75	88	97	14.5	15.2
80	80	95	105	15.0	15.7
85	85	100	110	15.0	15.7
90	90	105	115	15.0	15.7
95	95	110	120	15.0	15.7
100	100	115	125	15.0	15.7